

26'-8"

OPTIONAL PORCH

master bedroom
13'-9" x 12'-9"

13'-9" x 12'-9"

H/W

48"x72" SHWR

bedroom 2
11'-4" x 11'-7"

11'-4" x 11'-7"

30"x60" TUB

bedroom 3
9'-7" x 10'-2"

9'-7" x 10'-2"

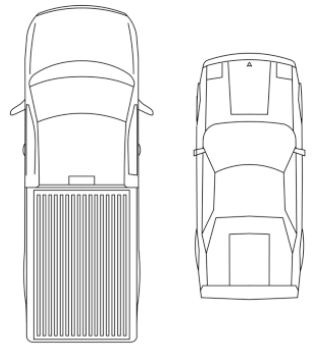
living room
17'-1" x 13'-9"

17'-1" x 13'-9"

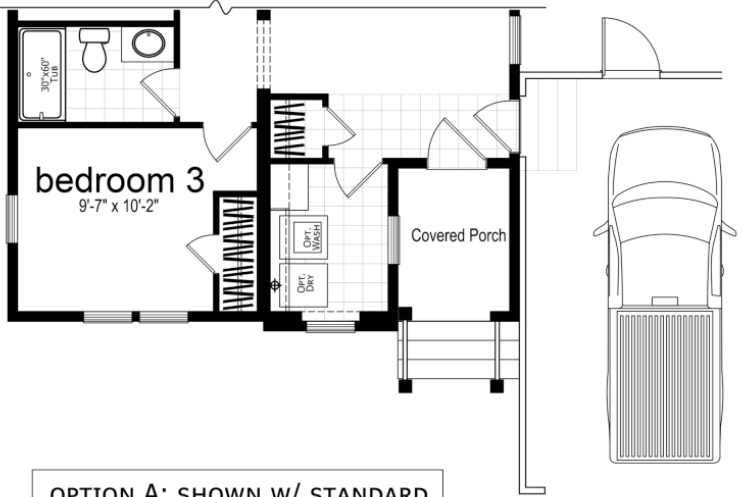
(Transoms)

Covered Porch

55'-0"



SHOWN W/ STANDARD ATTACHED FRONT GARAGE CONSTRUCTED BY OTHERS



OPTION A: SHOWN W/ STANDARD ATTACHED SIDE GARAGE CONSTRUCTED BY OTHERS